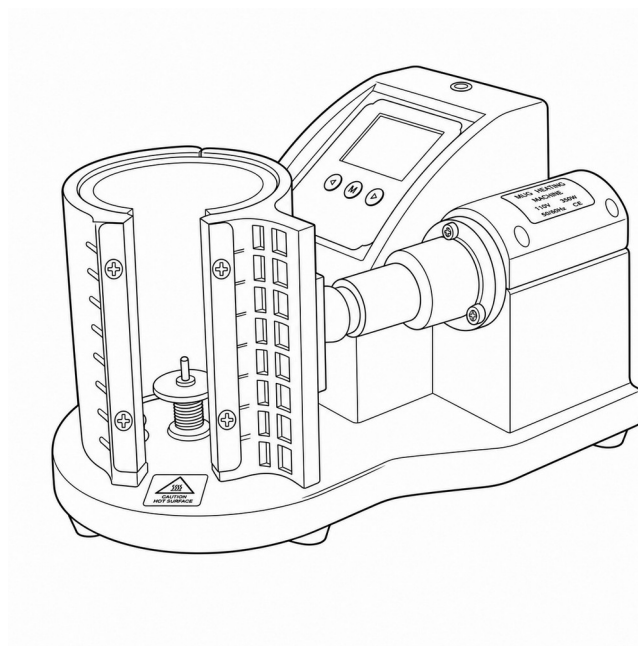


B E I N S E N

Andra

Automatic mug press



User Manual
and Safety Instructions

Empowering Your Personalization Needs.

Index

01	Introduction and equipment description	3
02	Technical specifications	4
03	Critical safety	5
04	Operation guide	7
05	Maintenance and troubleshooting	9
06	Legal notice and trademarks	11

Page numbers are indicative and may vary slightly depending on the specific length of the sections for this model.

01

Introduction and Equipment Description

Personalising mugs has never been as simple as with the Beinsen Andra automatic press. The automatic wrapping system makes printing your designs child's play. With GY-05N digital controller and automatic opening at the end of the cycle.

Applications

Professional sublimation of cylindrical 11 oz and 15 oz mugs. The automatic wrapping system facilitates fast, uniform-quality production. Suitable for workshops, souvenir shops and small-to-medium runs.

Main components

- Resistencia perimetral intercambiable para tazas
- GY-05N digital controller
- Automatic opening mechanism at the end of the cycle
- Adjustable clamping device
- Metal housing with Beinsen orange finish



Fig. 1 · Main components of the Beinsen Andra.

02

Technical Specifications

Press Type	For mugs
Operating Mode	Automatic
Display Model	GY-05N
Touch screen	No
Memories	No
Timer Range	0 – 999 seg.
Number of heating elements	1
Compatible Mug Sizes	11 oz and 15 oz
Interchangeable Elements	Yes
Power	260 W
Maximum Temperature	230 °C
Voltage	220 V
Net Weight	5 kg
Gross Weight	6,5 kg
Package Size	38 × 27 × 25 cm

Technical specifications may vary slightly depending on the manufacturing batch configuration. Refer to the equipment identification label for the exact data of your unit.

03

Critical Safety

Read all warnings carefully before operating the equipment. Failure to follow these instructions may result in serious injury, property damage or void the warranty.

Risk of burns

The perimeter heating element reaches high temperatures (up to 230 °C). Always handle the mug with thermal gloves and never touch the element directly, even several minutes after turning off the equipment.

Risk of entrapment

The automatic opening moves the clamping device motorised. Keep fingers out of the clamp's path during the pressing and opening cycle.

Electrical risk

Connect the equipment only to a grounded socket. Do not handle the equipment with wet hands and disconnect it before any cleaning operation.

Work stability

Work on a firm, level, heat-resistant surface. Leave free space around the equipment for proper heat dissipation.

04

Operation Guide

The GY-05N digital controller lets you configure the press temperature and time with automatic opening at the end of the cycle.

Power-on and configuration

- 01 Connect the equipment to the mains and turn on the main switch.
- 02 The GY-05N controller display will light up showing the temperature reading.
- 03 Press SET to enter the configuration menu.
- 04 Adjust the target temperature with the (+) and (-) buttons.
- 05 Press SET again to move to time setting and configure it the same way.
- 06 Press SET to confirm and exit the menu.
- 07 Wait until the heating element reaches the target temperature.

Pressing process with automatic opening

- 01 Confirm that the mounted heating element matches the mug format (11 oz or 15 oz).
- 02 Apply the transfer paper to the mug with the printed side facing the ceramic surface.
- 03 Secure the transfer with heat-resistant tape to prevent shifting.
- 04 Place the mug inside the perimeter heating element.
- 05 Close the clamp to start pressing.
- 06 When the programmed time ends, the equipment will open automatically.
- 07 Remove the mug with thermal gloves and peel off the transfer paper as instructed by the consumable manufacturer.

05

Maintenance and Troubleshooting

Preventive maintenance

- Before each shift, check that the heating element and accessible components are clean.
- Clean the heating element with the machine cold using a microfibre cloth. Never use water or abrasive products.
- Periodically check the operation of the automatic opening mechanism.
- Check the temperature reading with a contact thermometer if you notice inconsistency in the results.
- Request a full inspection of the equipment from an Official Technical Service authorised by Beinsen in case of any persistent anomaly.

Troubleshooting

Problem	Probable cause	Solution
The display does not turn on	Loose power cable or no voltage	Check the connection and socket. If it persists, contact Beinsen Technical Service.
Automatic opening does not work	Faulty motor or end-of-cycle sensor	Do not disable the system. Contact Beinsen Technical Service.
The mug does not reach the target temperature	Poorly fitted heating element or damaged sensor	Turn off the equipment, let it cool and check the fit. If it persists, contact Technical Service.
Marks or uneven transfer	Insufficient pressure or inadequate time	Adjust the clamp to increase pressure and review the parameters from the transfer manufacturer.

To report any issue, request a repair or purchase genuine spare parts, contact exclusively an Official Technical Service authorized by Beinsen.

06

Legal Notice and Trademarks

Copyright

Copyright © 2025 Beinsen. This guide is protected by international copyright laws. No part of this guide may be reproduced, distributed, translated or transmitted in any form or by any means, electronic or mechanical, including photocopying, recording or any information storage and retrieval system, without the prior written consent of Beinsen.

Trademarks

Beinsen and the Beinsen logo are registered trademarks. All other trademarks and copyrights mentioned in this document are the property of their respective owners.

Warranty and technical service

To report any issue, request a repair or purchase genuine spare parts, contact exclusively an Official Technical Service authorized by Beinsen. Find the nearest technical service point through the official website.

Contact

Beinsen

Avenida Alto de las Atalayas, 18 · 30110 Cabezo de Torres (Murcia), Spain
+34 968 902 300 · info@beinsen.com · beinsen.com