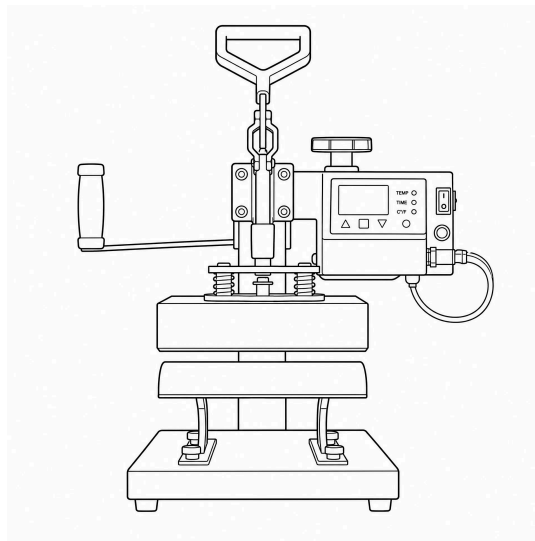


BEINSEN

# Felina

Rotary heat press for shin guards



**User Manual**  
and Safety Instructions

*Empowering Your Personalization Needs.*

# Contents

<b>01</b>	Introduction and equipment description	3
<b>02</b>	Technical specifications	4
<b>03</b>	Critical safety	5
<b>04</b>	Operating guide	6
<b>05</b>	Maintenance and care	7
<b>06</b>	Legal notice and trademarks	8

*The page numbers are indicative and may vary slightly depending on the length of each section.*

# 01

## Introduction and Equipment Description

The Beinsen Felina is a rotary heat press designed specifically to sublimate onto shin guards, a material as specific as it is special. It includes 3 base plates with a quick-change system, so that whatever the size or shape of the shin guard, you can personalize it with a professional finish.

### Applications

Sublimation and transfer onto sports shin guards of any size. Suitable for sports shops, clubs, events and competitions where personalization happens on the spot, and for workshops with limited space thanks to its compact design.

### Main components

- Upper heating plate
- 3 interchangeable plates of different sizes
- Manual operating lever
- Upper pressure regulator
- Digital controller
- Compact Beinsen orange structure

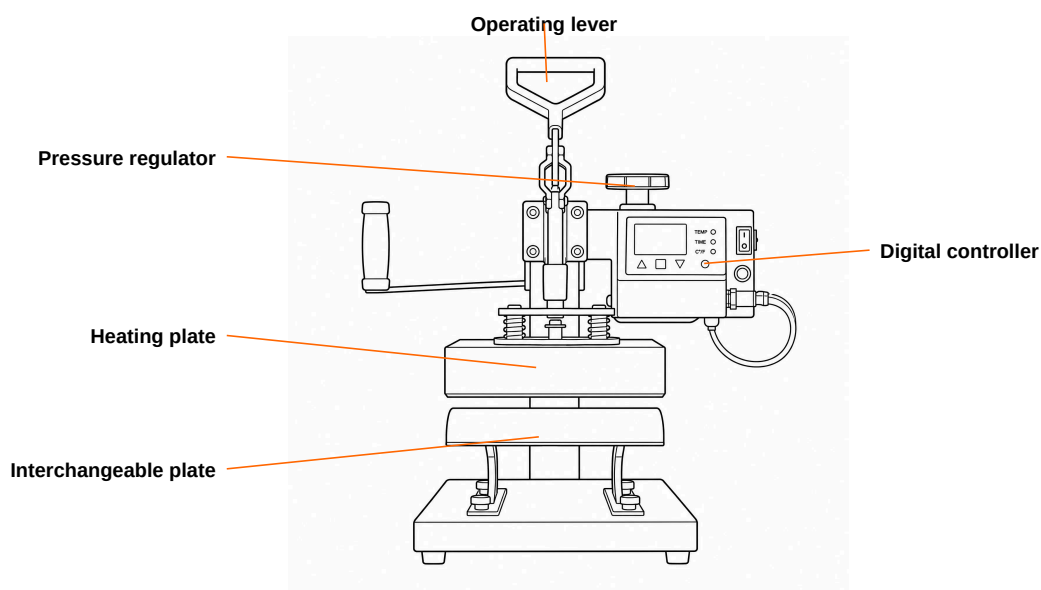


Fig. 1 · Main components of the Beinsen Felina.

# 02

## Technical Specifications

<b>Model</b>	Felina
<b>Press type</b>	Rotary
<b>Operating mode</b>	Manual
<b>Display type</b>	Digital
<b>Touchscreen</b>	No
<b>Configuration memories</b>	–
<b>Timer range</b>	0 – 999 sec.
<b>Number of heating plates</b>	1
<b>Interchangeable base plates</b>	3 (quick-change system)
<b>Plate sizes</b>	205×171×218 / 114×132×179 / 97×115×115 mm
<b>Maximum item thickness</b>	–
<b>Temperature, power and voltage</b>	See the equipment identification label

*Technical specifications may vary slightly depending on the manufacturing batch configuration. Check the equipment identification label for the exact data of your unit.*

# 03

## Critical Safety

Read all warnings carefully before operating the equipment. Failure to follow these instructions may result in serious injury, material damage or void the warranty.

### **Burn hazard**

The heating plate reaches very high temperatures. Always handle the shin guards and plates with thermal gloves and keep the work area clear of children, pets and flammable materials.

### **Manual operation**

The lever applies high pressure when closing. Keep your hands away from the pressing area and make sure the plate is correctly positioned before lowering the lever.

### **Rotary system**

Rotate the base plate only when the press is open. Make sure the plate is properly positioned and locked under the heating plate before starting the cycle.

### **Electrical installation**

Connect the equipment to an earthed socket. Do not use the machine with a damaged cable or plug, or in areas without adequate ventilation.

# 04

## Operating Guide

The Felina is a manual rotary press specialized in shin guards. Select the base plate suited to the size of the shin guard and follow these steps.

### Power on and setup

- 01 Connect the equipment to the mains and switch on the main switch.
- 02 Press SET to enter the configuration menu.
- 03 Set the target temperature with the (+) and (-) buttons.
- 04 Press SET again to move to the time setting and configure it the same way.
- 05 Press SET to confirm and exit the menu.
- 06 Wait for the plate to reach the target temperature.

### Personalizing the shin guard

- 01 With the press open, fit the base plate of the appropriate size for your shin guard.
- 02 Place the shin guard on the plate and position the transfer design as desired.
- 03 Adjust the pressure with the upper regulator according to the thickness of the piece.
- 04 Lower the lever firmly and hold the press for the configured time.
- 05 When finished, raise the lever, remove the piece with a thermal glove and repeat with the next one.

# 05

## Maintenance and Care

### Preventive maintenance

- Regular cleaning of the plates and sublimation surfaces after each working day.
- Replacement of protective sheets or coatings when they show wear.
- Checking and adjusting the pressure before each work session.
- Periodic inspection and cleaning of the internal components.
- Checking and calibrating the temperature with an external thermometer.
- Store the interchangeable plates in a dry, clean place when not in use.

*For any intervention that requires opening the equipment or replacing electrical components, contact the authorized Beinsen technical service.*

# 06

## Legal Notice and Trademarks

### Copyright

Copyright © 2026 Beinsen. This guide is protected by international copyright laws. No part of this guide may be reproduced, distributed, translated or transmitted by any means, electronic or mechanical, including photocopying and recording, without the prior written consent of Beinsen.

### Trademarks

Beinsen and the Beinsen logo are registered trademarks. All other trademarks and copyrights mentioned in this document belong to their respective owners.