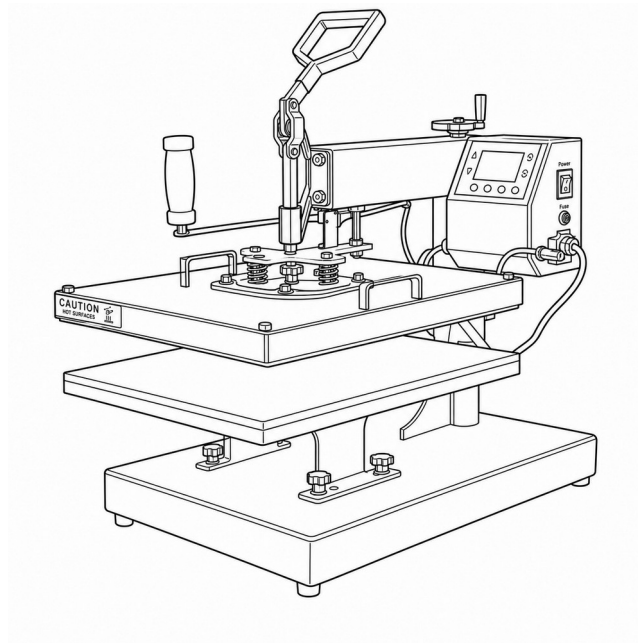


B E I N S E N

Jamaica

Plancha combo 8 en 1 giratoria



User Manual and Safety Instructions

Empowering Your Personalization Needs.

Index

01	Introduction and equipment description	3
02	Technical specifications	4
03	Critical safety	5
04	Operation guide	7
05	Maintenance and troubleshooting	9
06	Legal notice and trademarks	11

Page numbers are indicative and may vary slightly depending on the specific length of the sections for this model.

01

Introduction and Equipment Description

The Beinsen Jamaica is a multifunction transfer press for sublimation, with rotary opening system and robust base. GY-04 digital controller and compact format. Ideal solution for workshops that need to combine several types of work in a single machine.

Applications

Multi-purpose transfer and sublimation on flat substrates. Suitable for workshops needing a versatile machine for various work types.

Main components

- Upper heating plate textil
- Accesorio para gorras (9 × 15,5 cm)
- Accessories for ceramic plates (Ø 12.6 cm and Ø 15.2 cm)
- Resistencias para tazas de 6, 9, 12 y 15 oz
- Rotary arm for quick accessory change
- Controlador digital frontal
- Compact Beinsen orange frame



Fig. 1 · Main components of the Beinsen Jamaica.

02

Technical Specifications

Model	Jamaica
Press Type	Combo 8 en 1
Operating mode	Manual
Included heating elements	Textil, gorras (9 × 15,5 cm), platos (Ø 12,6 cm y Ø 15,2 cm), tazas 6/9/12/15 oz
Interchangeable heating elements	Yes
Timer range	0 – 999 seg.
Maximum temperature	225 °C
Voltage	220 V
Dimensions	89 × 54 × 61 cm

Technical specifications may vary slightly depending on the manufacturing batch configuration. Refer to the equipment identification label for the exact data of your unit.

03

Critical Safety

Read all warnings carefully before operating the equipment. Failure to follow these instructions may result in serious injury, property damage or void the warranty.

Risk of burns

The accessories reach 225 °C. Always handle the substrates and accessories with thermal gloves. Wait for complete cooling before any change.

Safe accessory change

Make all changes with the machine cold and disconnected from the mains. Check the fit of the new accessory and, if applicable, its electrical connection before resuming operation.

Rotary arm

The rotary system allows quick changes but requires verification: confirm that the accessory is correctly positioned and locked before starting the cycle.

Electrical risk

Connect the equipment only to a grounded socket. Do not handle the equipment with wet hands and disconnect it before any cleaning operation.

04

Operation Guide

The Jamaica 8-in-1 combo includes different accessories for sublimating caps, small ceramic plates, mugs and flat garments. The digital controller lets you configure temperature and time for each substrate type.

Power-on and configuration

- 01 Connect the equipment to the mains and turn on the main switch.
- 02 The controller display will light up showing the temperature reading.
- 03 Press SET to enter the configuration menu.
- 04 Adjust the target temperature with the (+) and (-) buttons.
- 05 Press SET again to move to time setting and configure it the same way.
- 06 Press SET to confirm and exit the menu.
- 07 Mount the accessory matching the substrate you are going to personalise.
- 08 Wait until the heating element reaches the target temperature.

Accessory change

- 01 Turn off the equipment and disconnect it from the mains.
- 02 Wait until the heating element and associated components have cooled completely.
- 03 Loosen the fixing system of the current accessory.
- 04 Disconnect the electrical connection if applicable.
- 05 Fit the accessory for the new format.
- 06 Check the correct fit and connection before reconnecting the equipment.

Pressing process

- 01 Confirm that the mounted accessory matches the format (cap, mug, plate or flat textile).
- 02 Place the substrate with the transfer paper correctly secured.
- 03 Activate the press cycle following the parameters recommended by the consumable manufacturer.
- 04 When the programmed time ends, remove the substrate with thermal gloves.
- 05 Peel off the transfer paper as instructed by the manufacturer (hot peel or cold peel).

05

Maintenance and Troubleshooting

Preventive maintenance

- Before each shift, check that the mounted accessory is clean and free of debris.
- Clean the heating elements with the machine cold using a microfibre cloth. Never use water or abrasive products.
- Periodically check the operation of the rotary system.
- Inspect the electrical connections of each accessory when changing it.
- Check the temperature reading with a contact thermometer if you notice inconsistency.
- Request a full inspection of the equipment from an Official Technical Service authorised by Beinsen in case of any persistent anomaly.

Troubleshooting

Problem	Probable cause	Solution
The display does not turn on	Loose power cable	Check the connection and socket. If it persists, contact Beinsen Technical Service.
A specific accessory does not heat up	Faulty electrical connection	With the machine cold and disconnected, check the connector fit. If it persists, contact Technical Service.
The rotary arm gets stuck	Dry mechanism or wear	Lubricate the arm shaft. If it persists, contact Technical Service.
Uneven transfer	Insufficient pressure or inadequate time	Review the parameters recommended by the transfer manufacturer.

To report any issue, request a repair or purchase genuine spare parts, contact exclusively an Official Technical Service authorized by Beinsen.

06

Legal Notice and Trademarks

Copyright

Copyright © 2025 Beinsen. This guide is protected by international copyright laws. No part of this guide may be reproduced, distributed, translated or transmitted in any form or by any means, electronic or mechanical, including photocopying, recording or any information storage and retrieval system, without the prior written consent of Beinsen.

Trademarks

Beinsen and the Beinsen logo are registered trademarks. All other trademarks and copyrights mentioned in this document are the property of their respective owners.

Warranty and technical service

To report any issue, request a repair or purchase genuine spare parts, contact exclusively an Official Technical Service authorized by Beinsen. Find the nearest technical service point through the official website.

Contact

Beinsen

Avenida Alto de las Atalayas, 18 · 30110 Cabezo de Torres (Murcia), Spain
+34 968 902 300 · info@beinsen.com · beinsen.com